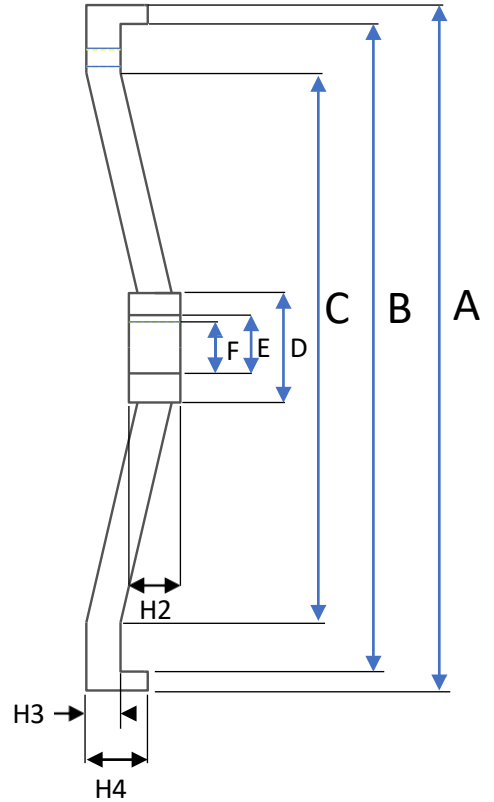
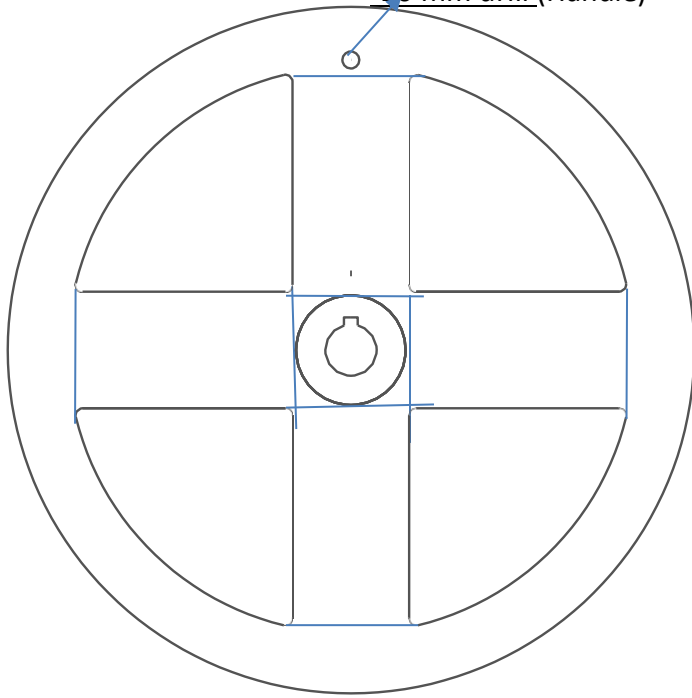


20 mm drill (Handle)



(Manual Handle)

A	B	C	D	E	F	H2	H3	H4
315	250	230	57	33	30	32	11	23

Note:-

- 1 This is a tendering purpose drawing.
2. All dimensions are in mm.
3. Material is made of aluminum.
4. Tolerance limit as per standard.
5. Thickness of manual handle-11mm

NTPC LIMITED		
Barh Super Thermal Power Station		
Drawn by	Deepak Kumar	Title: Manual Handle (3x660MW Boiler Stage-1)
Approved by	Deepak Kumar	
Date	08.01.2025	
SCALE	NTS	
		Drg. No- Barh/BMD-RP/Manual handle/03 , Rev-0