

149ST211

SITE PLANNING
RECORD COPY
NOT FOR ISSUE

1-8 JAN 1993

CUSTR: M/S NUCLEAR POWER CORPORATION.
(GOVERNMENT OF INDIA ENTERPRISE)

NUCLEAR POWER CORPORATION (A GOVT. OF INDIA ENTERPRISE)
APPROVED
SIGNATURE & DATE <i>K. Loganathan</i> 21/1/93

PROJECT: KAIGA ATOMIC POWER PROJECT UNIT 2

BOARD REF: 415V SWITCHGEAR - CLASS - III - 5231 - BUS X

NPCL DRG. NO.: KAIGA - 2 / 52421 / 2561 / ED / REV. NO. 0

(8303) loc L

SHEET NO.	1	2	3	4	5	6	7	8	9	10	11	12	13	14	15	16	17	18	19	20	21	22	23	24	25	26	27	28	29	30
REVN.	-	A	A	A																										

20/07/92

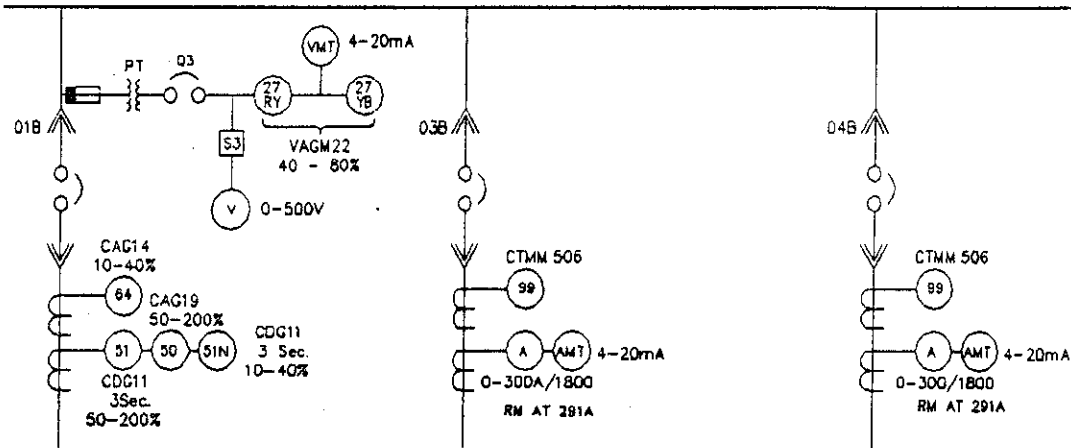
EEO COMMON DRG. NO.: ASL14900211 SHT. NO. 1 OF 4

THE ENGLISH ELECTRIC CO. OF INDIA LTD. MADRAS	TITLE	SINGLE LINE DIAGRAM FOR CUBICLE BOARD (BUS X)	DRN. NO.	NK	O/NO.	1490	ITEM NO.	0211	NO. OFF	-	DEPT.	SC&CC
	DRG. NO.	ASL14900211	SHT. NO. 1	NO. OF SHTS.	1							

149SLRKA

415V 3PH.4WIRE 50HZ. 2500AMPS. TPN BUSBARS

CONTD. IN SHT.2



1	SERVICE DETAIL	INCOMER FROM 6.6KV SWGR CL. III BUS-D2 UNIT-2 CB NO.525	APW COOLING PUMP CB NO.526,170KW 2-7125-PM1003	APW COOLING PUMP CB NO.527,170KW 2-7125-PM1004
2	BREAKER RATING & TYPE	2500A,3037MWS+NEUT	630A,610MWS	630A,610MWS
3	PROTECTION CT RATIO , CLASS & BURDEN FOR RELAYS	1750/5,5P15,15VA	300/5,5P10,15VA	300/5,5P10,15VA
4	PROTECTION CT RATIO & CLASS FOR CTM / EARTH FAULT	1750/5 CL.PS. <small>Wk > 325V 1 mag AT V_k/2 < 21mA Rct AT 75 C < /1.00 OHMS</small>	-	-
5	METERING CT RATIO , CLASS & BURDEN	-	300/5,1,10VA	300/5,1,10VA
6	PT RATIO , CLASS & BURDEN	415/110V,CL1/3,50VA	-	-
7	CABLE DETAILS	SIDE DUCT	3 * 1 * 400 (AL)	3 * 1 * 400 (AL)

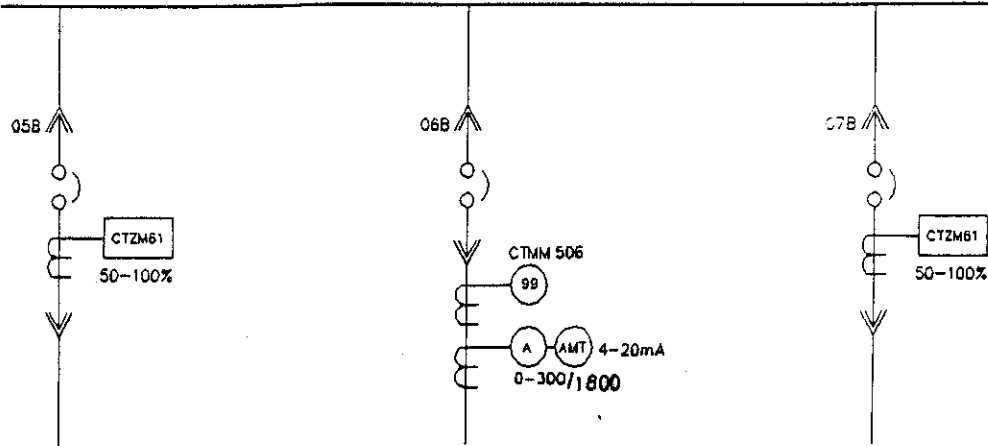
EE CO. COMMON DRG. NO: ASL14900211 SHT.2 OF 4

A ORIGINAL SCALE	DATE 08-04-92	TITLE SINGLE LINE DIAGRAM FOR BUS - X SWGR	DRN CHD.	N.K.	O/NO. 1490	ITEM NO. 0211	NO.OFF 1	DEPT. SG&CC
			THE ENGLISH ELECTRIC CO. OF INDIA LTD. MADRAS		DRG.No. ASL14900211	SHT.No. 1	No.OF SHTS. 3	

149SLBKB

CONTD. FROM SHT.1

CONTD. IN SHT.3



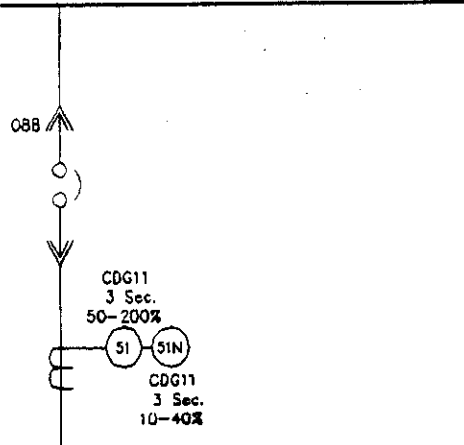
1	SERVICE DETAIL	MCC-X1 CB NO.52B 2-5231-MCC-X1	SPARE CB NO.529,170KW	SPARE CB NO.530
2	BREAKER RATING & TYPE	630A,610IMS+NEUT	630A,610MWS	630A,610IMS+NEUT
3	PROTECTION CT RATIO , CLASS & BURDEN FOR RELAYS	-	300/5,5P10,15VA	-
4	PROTECTION CT RATIO & CLASS FOR CTZM / EARTH FAULT	600/5,CL.PS <small>$V_k > 19V$ 1 mag AT $V_k/2 < 25mA$ Ret $< /0.18 OHMS$</small>	-	600/5,CL.PS <small>$V_k > 19V$ 1 mag AT $V_k/2 < 25mA$ Ret $< /0.18 OHMS$</small>
5	METERING CT RATIO . CLASS & BURDEN	-	300/5,1,10VA	-
6	PT RATIO , CLASS & BURDEN	-	-	-
7	CABLE DETAILS	3 * 1 * 630 (AL) 1 * 1 * 300 (AL)	3 * 1 * 400 (AL)	3 * 1 * 630 (AL) 1 * 1 * 300 (AL)

EE CO. COMMON DRG. NO: ASL14900211 SHT.3 OF 4

A ORIGINAL ISSUE	DATE 08-04-82		TITLE	DR/L	N.K	O/NO.	ITEM NO.	NO.OF	DEPT.
			SINGLE LINE DIAGRAM FOR BUS - X SWGR	CHD.		1490	0211		SG&CG.
			THE ENGLISH ELECTRIC CO. OF INDIA LTD.	MADRAS	DRG.No.	ASL14900211	SHT.No. 2 No.OF SHTS. 3		

149S.

CONTD. FROM SHT.2



1	SERVICE DETAIL	FE FEEDER CS NO.538		
2	BREAKER RATING & TYPE	2500A,3037MWS+NEUT		
3	PROTECTION CT RATIO , CLASS & BURDEN FOR RELAYS	1750/5,5P15,15VA		
4	PROTECTION CT RATIO & CLASS FOR CTM / EARTH FAULT	-		
5	METERING CT RATIO , CLASS & BURDEN	-		
6	PT RATIO , CLASS & BURDEN	-		
7	CABLE DETAILS	TOP DUCT		

EE CO. COMMON DRG. NO: ASL14900211 SHT.4 OF 4

A ORIGINAL DATE 08-04-82	TITLE SINGLE LINE DIAGRAM FOR BUS - X SWGR		DRN CHD.	NK	O/NO. 1490	ITEM NO. 0211	NO.OFF 1	DEPT. SG&CG
	THE ENGLISH ELECTRIC CO. OF INDIA LTD.		DRG.No. MADRAS		ASL14900211		SHT.No. 3 No.OF SHTS. 3	