

CUSTR: M/S NUCLEAR POWER CORPORATION.  
( GOVERNMENT OF INDIA ENTERPRISE )

APPROVED.  
K. Loganathan  
13/3/92

PROJECT: KAIGA ATOMIC POWER PROJECT UNIT 1

BOARD REF: 415V SWITCHGEAR - CLASS - IV - **5241** - BUS Q'

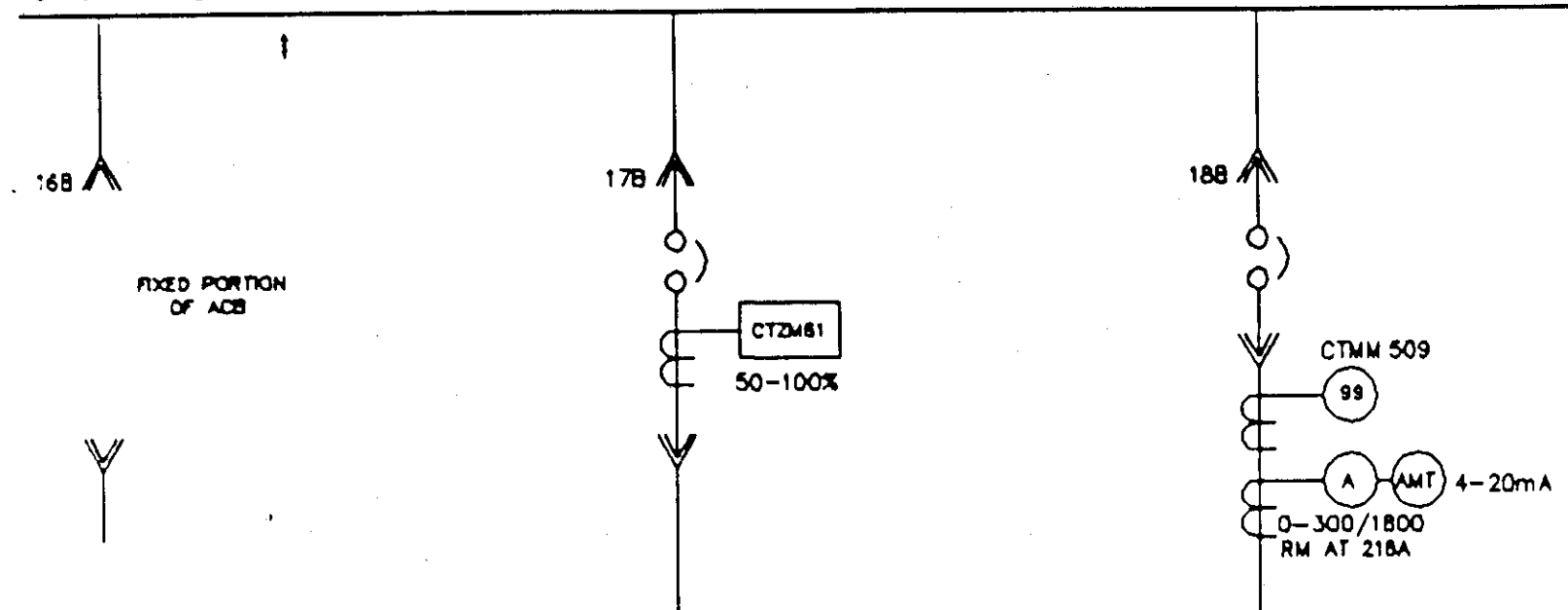
NPCL DRG. NO.: KAIGA - 1 / 52421 / 2559 / **ED** / REV. NO. 0

SHEET NO.	1	2	3	4	5	6	7	8	9	10	11	12	13	14	15	16	17	18	19	20	21	22	23	24	25	26	27	28	29	30
REVN.	-	A	A	A	A																									

(8100/92)

EECO COMMON DRG. NO.: ASL14900109 SHT. NO. 1 OF 5

TITLE SINGLE LINE DIAGRAM FOR CUBICLE BOARD ( BUS Q' )	DRN.	dbn	O/NO.	ITEM NO.	NO.OFF	DEPT.
	CHD.	W.R.	1490	0109	-	SG&CC.
THE ENGLISH ELECTRIC CO. OF INDIA LTD. MADRAS	DRG. NO.		ASL14900109		SHT.NO 1 NO. OF SHTS. 5	

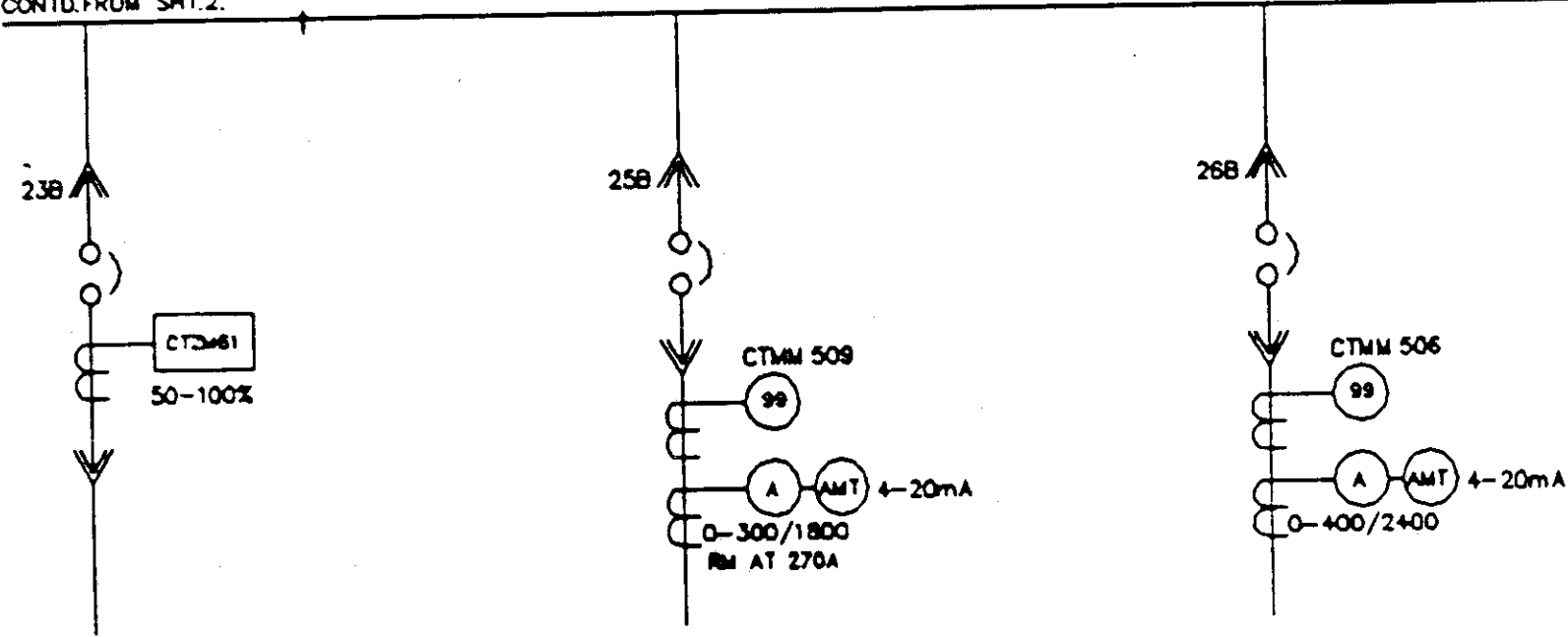


1	SERVICE DETAIL	SPACE FOR FUTURE ACB CB NO.337	MCC-02 CB NO.338 1-5231-MCC-02	AUX.BFP CB NO.339,130KW 1-4321-PM1007
2	BREAKER RATING & TYPE	630A,610MWS+NEUT	1250A,812IMS+NEUT	630A,610MWS
3	PROTECTION CT RATIO , CLASS & BURDEN FOR RELAYS	-	-	300/5,5P10,15VA
4	PROTECTION CT RATIO & CLASS FOR CT2M / EARTH FAULT	-	1250/5,CL.PS <i>V<sub>L</sub> &gt; 23V I mag AT V<sub>L</sub>/2 &lt; 25mA R<sub>cl</sub> &lt; /0.24 OHMS</i>	-
5	METERING CT RATIO , CLASS & BURDEN	-	-	300/5,1,10VA
6	PT RATIO , CLASS & BURDEN	-	-	-
7	CABLE DETAILS	7 * 1 * 630(AL)	14 * 1 * 400(AL)	1 * 3 * 300(AL)

EE CO. COMMON DRG. NO: ASL14900109 SHT. 2 OF 5

A ORIGINAL ISSUE	DATE 11-02-92	TITLE SINGLE LINE DIAGRAM FOR BUS - 0 SWGR	DRN CHD.	SM NFC	O/NO. 1490	ITEM NO. 0109	NO.OFF 1	DEPT. SG&CG.
			THE ENGLISH ELECTRIC CO. OF INDIA LTD. MADRAS		DRG.No. ASL14900109	SHT.No. 1 No.OF SHTS. 4		

CONTD. FROM SHT. 2.

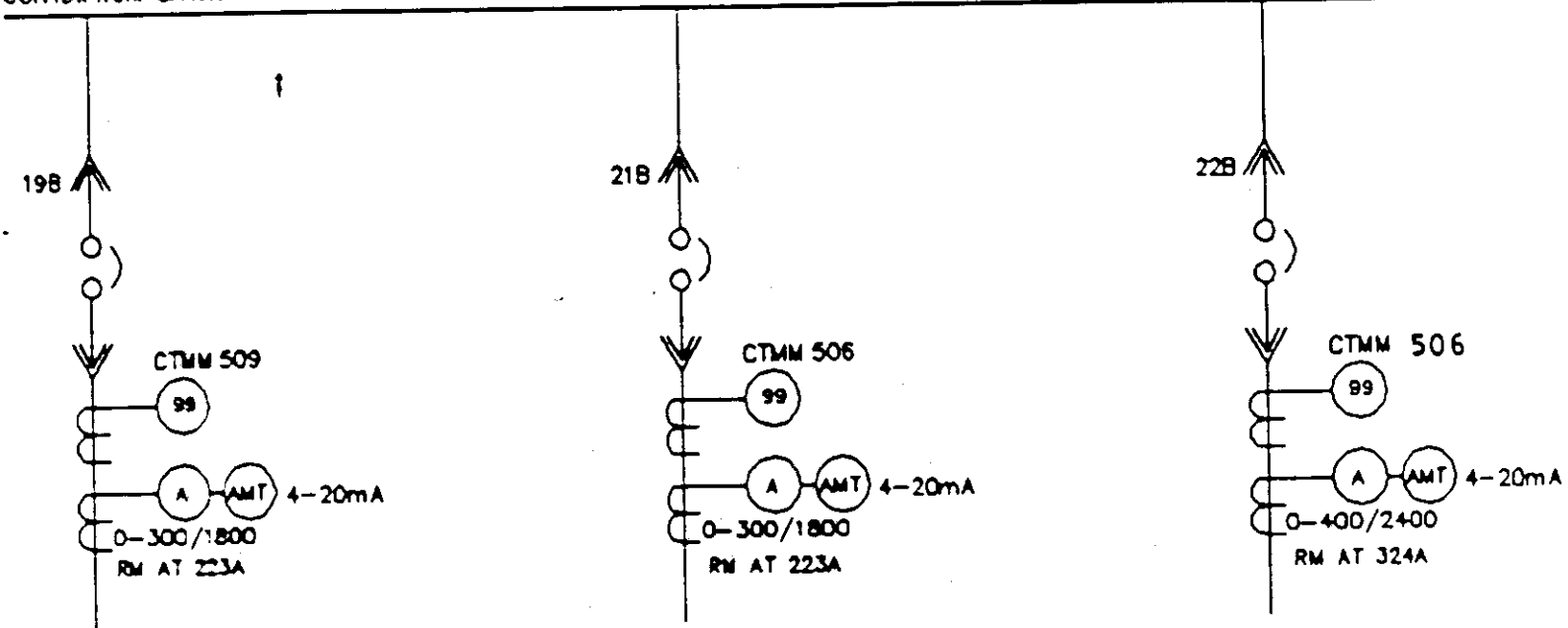


1	SERVICE DETAIL	SPARE CB NO. 343	EX. FAN SB. SFB RB SEC. CONT CB NO. 344, 125KW 1-7343-PM1004	SPARE CB NO. 345, 180KW
2	BREAKER RATING & TYPE	630A, 610MS+NEUT	630A, 610MWS	630A, 610MWS
3	PROTECTION CT RATIO, CLASS & BURDEN FOR RELAYS	-	300/5, 5P10, 15VA	400/5, 5P10, 15VA
4	PROTECTION CT RATIO & CLASS FOR CTZM / EARTH FAULT	600/5, CLPS $V_k > 19V$ $I_{mag} \text{ AT } V_k/2 < 25mA$ $R_{ct} < /0.18 \text{ OHMS}$	-	-
5	METERING CT RATIO, CLASS & BURDEN	-	300/5, 1, 10VA	400/5, 1, 10VA
6	PT RATIO, CLASS & BURDEN	-	-	-
7	CABLE DETAILS	14 * 1 * 400(AL)	1 * 3 * 300(AL)	3 * 1 * 400(AL)

EE CO. COMMON DRG. NO: ASL14900109 SHT. 4 OF 5

A  
ORIGINAL  
DATE  
11-02-92

TITLE	SINGLE LINE DIAGRAM FOR BUS - d' SWGR	DRN. CHD.	SM	WCC	O/NO.	1490	ITEM NO.	0109	NO. OFF	1	DEPT.	SG&CG.
THE ENGLISH ELECTRIC CO. OF INDIA LTD. MADRAS		DRG. No.		ASL14900109		SHT. No.		3		No. OF SHTS. 4		



1	SERVICE DETAIL	ECC PUMP CB NO.340,130KW 1-3335-PM4	MODERATOR CIRCULATING PUMP CB NO.341,132KW 1-3211-PM5	AHPPW PUMP CB NO.342,180KW 0-7133-PM1004
2	BREAKER RATING & TYPE	630A,610MWS	630A,610MWS	630A,610MWS
3	PROTECTION CT RATIO, CLASS & BURDEN FOR RELAYS	300/5,5P10,15VA	300/5,5P10,15VA	400/5,5P10,15VA
4	PROTECTION CT RATIO & CLASS FOR CTM / EARTH FAULT	-	-	-
5	METERING CT RATIO, CLASS & BURDEN	300/5,1,10VA	300/5,1,10VA	400/5,1,10VA
6	PT RATIO, CLASS & BURDEN	-	-	-
7	CABLE DETAILS	1 * 3 * 240(CU)	1 * 3 * 240(CU)	3 * 1 * 400(AL)

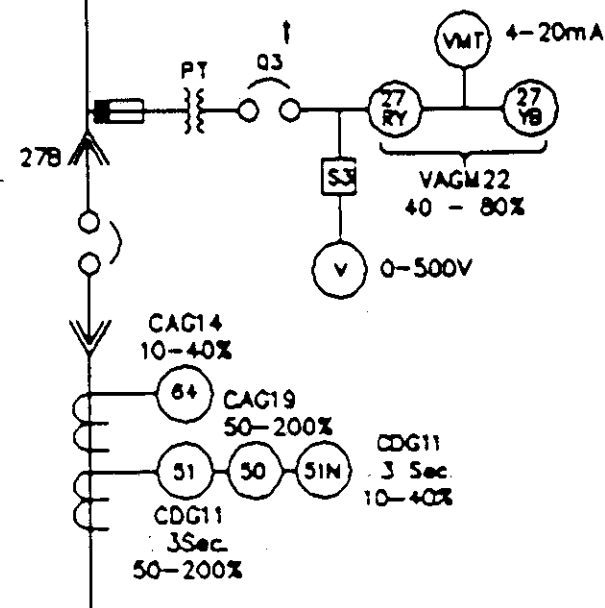
EE CO. COMMON DRG. NO: ASL14900109 SHT. 3 OF 5

A  
ORIGINAL  
SCALE  
DATE  
11-02-92

TITLE SINGLE LINE DIAGRAM FOR BUS - 0' SWGR  
THE ENGLISH ELECTRIC CO.  
OF INDIA LTD. MADRAS

DRN CHD. W.A.	SM	O/NO. 1490	ITEM NO. 0109	NO.OFF 1	DEPT. SG&CC.
DRG.No. ASL14900109		SHT.No. 2 No.OF SHTS. 4			

CONTD. FROM SHT. 3.



1	SERVICE DETAIL	INCOMER FROM 6.6KV SWGR CLIII BUS-E2 UNIT-1 CB NO.348	
2	BREAKER RATING & TYPE	2500A,3037MWS+NEUT	
3	PROTECTION CT RATIO , CLASS & BURDEN FOR RELAYS	2500/5,5P15,115VA	
4	PROTECTION CT RATIO & CLASS FOR CTM / EARTH FAULT	2500/5,CLPS <i>V<sub>r</sub> &gt; 224/242V I mag AT V<sub>r</sub>/2 &lt; 13mA/18mA Pct &lt; 0.91/1.04 OHMS</i>	
5	METERING CT RATIO , CLASS & BURDEN	-	
6	PT RATIO , CLASS & BURDEN	415/110V,CL1/3,50VA	
7	CABLE DETAILS	SIDE DUCT	

EE CO. COMMON DRG. NO: ASL14900109 SHT. 5 OF 5

A ORIGINAL BLUE	DATE 11-02-92	[Signature]	TITLE	DRN	SM	O/NO.	ITEM NO.	NO.OFF	DEPT.
			SINGLE LINE DIAGRAM FOR BUS - 0 SWGR	CHD.	[Signature]	1490	0109	1	SG&CG.
			THE ENGLISH ELECTRIC CO. OF INDIA LTD.	DRG.No.	ASL14900109		SHT.No.	4	
			MADRAS			No.OF SHTS.		4	